



Before operating the unit, please read this manual thoroughly and retain it for future reference.

You are cautioned that any changes or modifications not expressly approved in this manual could void your authority to operate this equipment.

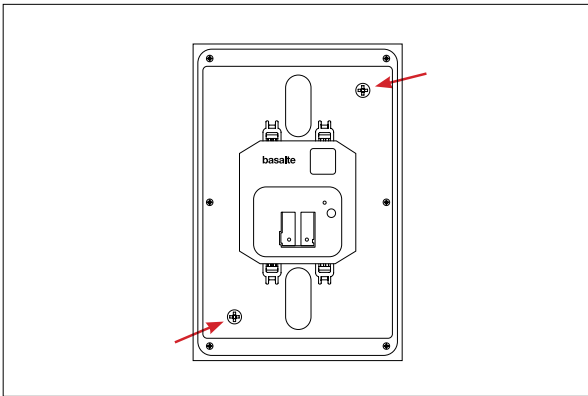
Model No.

0272-00 Fibonacci dual custom label set

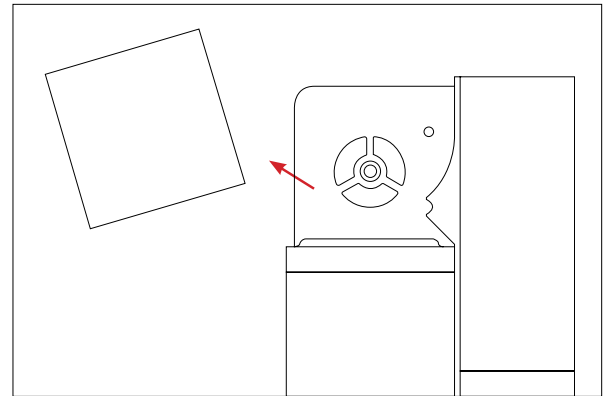
0274-00 Fibonacci quad custom label set

(* contact your sales representative to order a custom label set

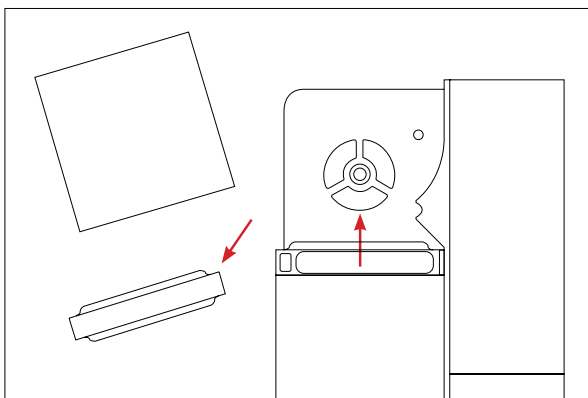
How to change labels?



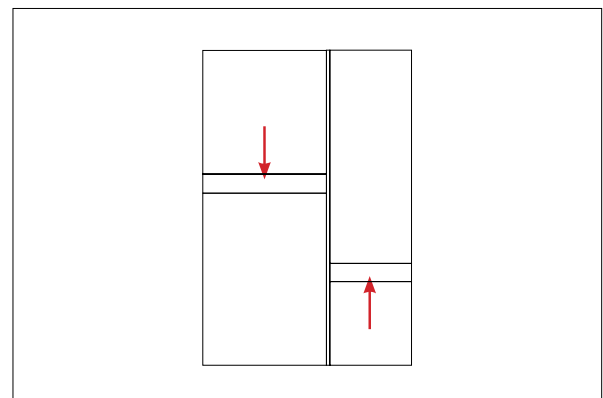
STEP 1 : Remove the plastic screw(s) with a manual screwdriver. Do not use any electrical tools to avoid damaging the screw(s).



STEP 2 : Carefully remove the quarter(s).



STEP 3 : Gently slide the label out of position.



STEP 4 : Replace the label(s) with the custom label(s) and reassemble the Fibonacci.



Fibonacci is designed to be wall mounted in portrait orientation. Fibonacci requires a minimum mounting depth of 22mm (KNX) or 26mm (Cresnet) in the back box plus room for cable(s).