

Model No. 0092-04

(1 gang products not included)

Description

The flush mount 1-gang (0092-04) is an adapter for easy in-wall flush installation of a Socket power outlet.

The adapter is supplied unpainted. The flush mount is designed to be installed in a drywall.

For installation in concrete/brickwall, first install an appropriate box for flush mount in concrete wall. (0092-12 not included)

Parts list

A. Wall adapter

Compatible products (not included)

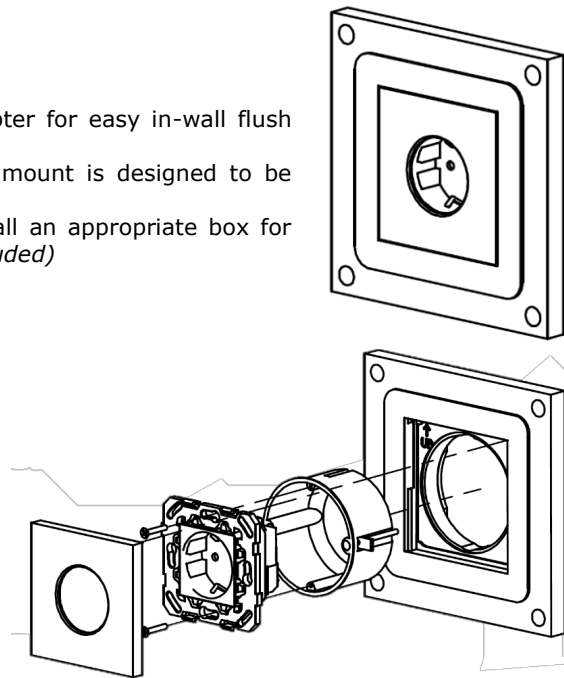
B. One-gang EU round wall box 68 mm

C. Socket power outlet (040x-xx)

D. 1 gang socket cover (041x-xx)

E. Via (048X-XX)

F. Auro wall version (0181-XX)

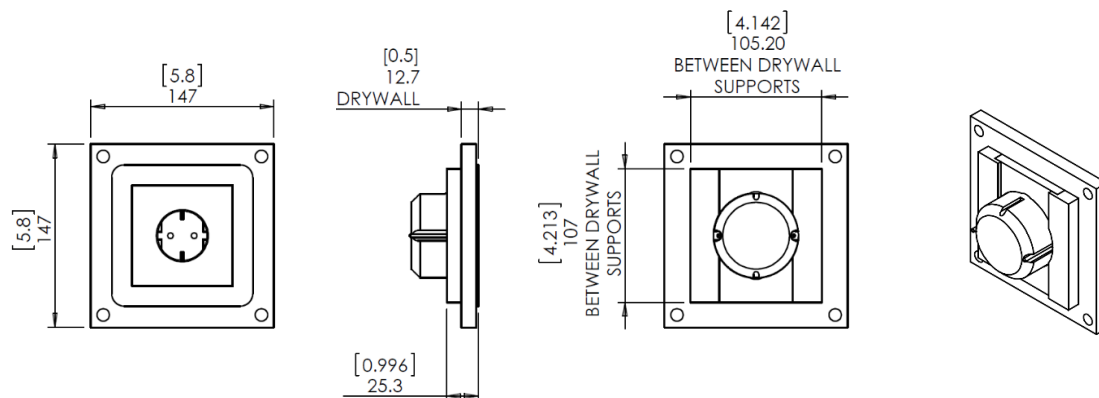


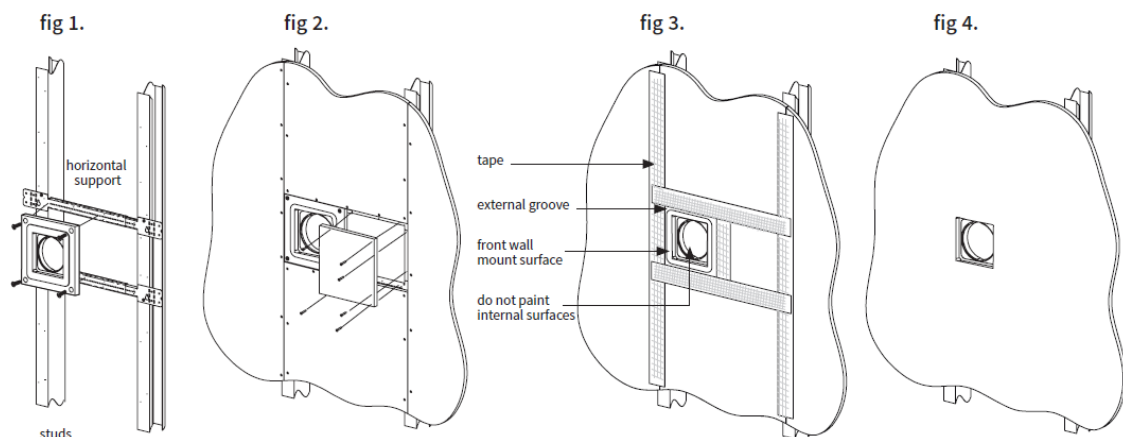
Safety instructions

- Turn off the power in areas where you will be drilling to avoid electric shock.
- Treatments such as sanding, drilling, painting, etc. may generate hazardous dust and/or fumes. Work in well ventilated areas. Use suitable personal protective equipment (dust mask, goggles) as necessary.

Key properties

- Dimensions (W/H/D) : 147 mm (5.8") / 147 mm (5.8") / 25.3 mm (0.996")
- Weight: 0.19 kg (0.42 lbs.)





Step 1 – Cut and place (fig 1. & 2.)

- Flush mount needs to fit between two studs and be installed on two horizontal supports secured to the studs.
- Fix the wall adapter through the holes located on its perimeter using #6 bugle head screws (not included). Make sure to position the wall adapter as shown on figure 1. Good practice: apply construction adhesive between wall mount and supports.
- Cut appropriate drywall pieces and plug voids on the mount sides.
- Secure all drywall edges to the studs and the horizontal supports.

Step 2 – Mud and tape (fig 3.)

- Ensure that the front surface of the mount is aligned with the drywall and that all the screws are flush with the surface of the drywall.
- Before applying tape, fill gaps with setting-type compound.
- Perform standard mud and tape drywall joining procedure.
- Do not apply drywall compound to front surface. Apply drywall compound to external groove only.
- Sand excess drywall compound to reveal front wall mount surface.

Step 3 – Painting (fig 4.)

- Do not paint internal surfaces!
- Paint and painting procedure are in the same manner as drywall painting.
- Paint the number of coats necessary to achieve the desired coverage and texture.
- Good practice: in case of any finish imperfections found around the installed wall mount (after paint), you may apply some acrylic wall putty afterwards, gently sand and paint again.

Removal of the frame

- Insert and push a thin plastic card into the vertical gap on the bottom right or on the top left corner.
- Gently pull the frame out of the flush mount.

