



0272-02-xx



0274-02-xx

Before operating the unit, please read this manual thoroughly and retain it for future reference.

You are cautioned that any changes or modifications not expressly approved in this manual could void your authority to operate this equipment.

### Description

Fibonacci KNX is a touch-sensitive switch with a unibody design which combines electronics and cover in one single article.

The separate touch-sensitive surfaces of Fibonacci each control various functions, using both short and long press.

By touching more than one surface at the same time (multitouch), additional comfort functions can be activated including room toggle, scene sequencer and RGB sequencer. The multicolour LED backlight provides status feedback and can be used as night light.

Fibonacci also has a built-in temperature sensor and integrated thermostat logic. A scene controller can control up to 6 scenes and 8 outputs per scene.

### Model No.

**0272-02-XX** Fibonacci dual KNX

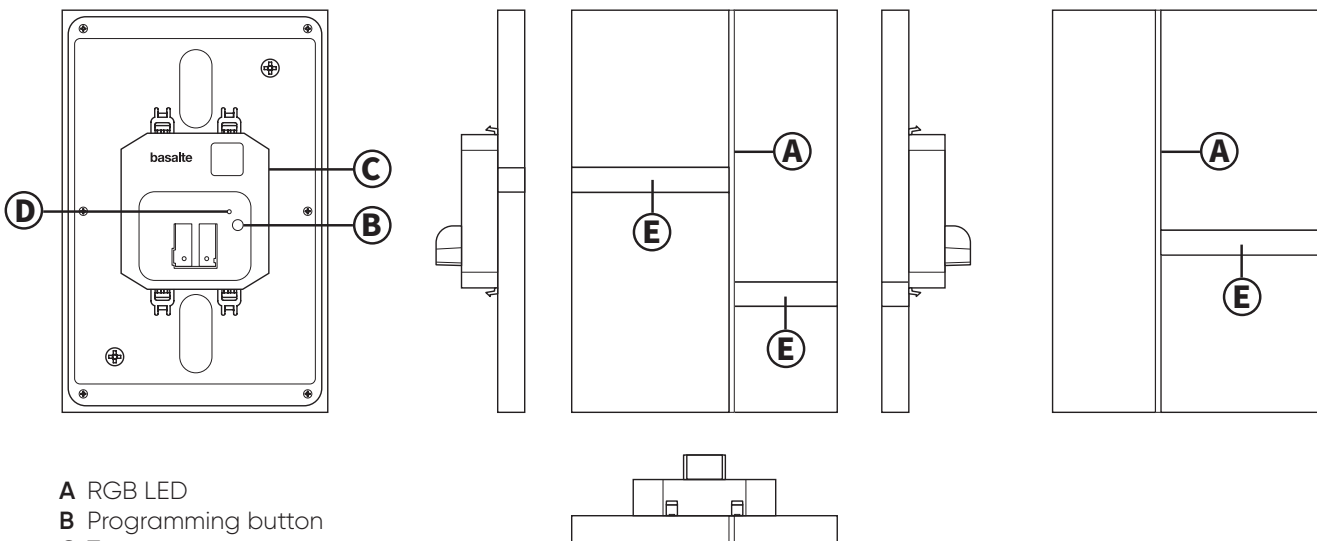
**0274-02-XX** Fibonacci quad KNX

### Compatible Fibonacci accessories

**0272-00** Fibonacci custom dual label set

**0274-00** Fibonacci custom quad label set

(\*) contact your sales representative to order custom label sets



- A RGB LED
- B Programming button
- C Temperature sensor
- D Programming LED
- E Label back light



Fibonacci is designed to be wall mounted in portrait orientation. Fibonacci KNX requires a minimum in-wall mounting depth of 22mm plus room for cable(s).

### Installation

#### 1. Rough-In

Use a standard European back box or a 1-gang US wall box.

The included mounting bracket should be mounted on the wall box with the included screws.



**Only use the openings on the vertical axis as shown on the picture.**

**Don't screw on the mounting bracket too hard, to avoid bending. This would hinder proper snapping-in of the keypad.**

#### 2. Installing Fibonacci on the wall

Position Fibonacci for portrait mounting (the orientation can be set in the ETS parameters), align the mounting bracket hooks with the Fibonacci mounting slots and gently press it towards the mounting bracket/wall. Fibonacci snaps in when pushed to its mounting bracket.

#### Powering up Fibonacci

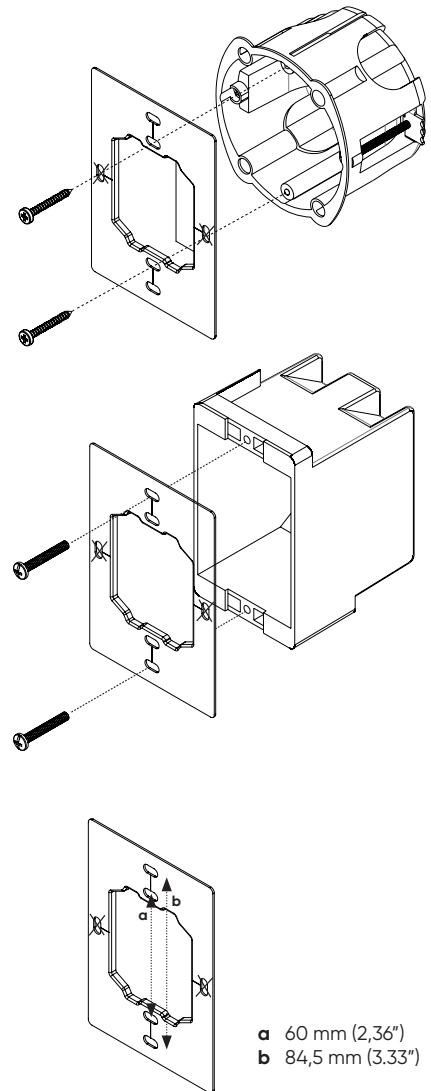
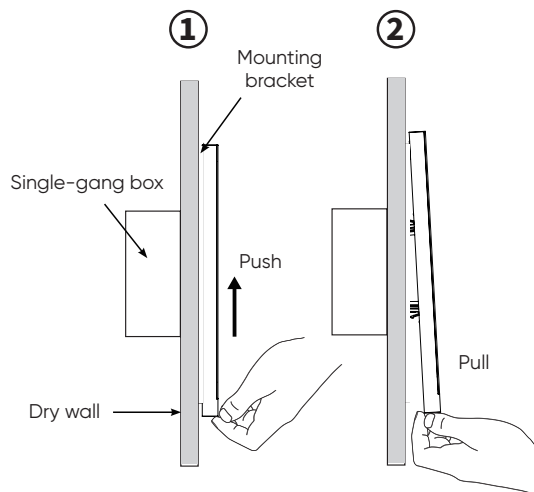
Connect Fibonacci to the KNX bus according to the KNX guidelines.

Load the physical address into the Fibonacci from ETS via the KNX bus.

Commission Fibonacci using ETS and load the configuration into the device. Please refer to the software manual to configure Fibonacci.

#### Removing Fibonacci

Follow the step 1 and 2 in order to remove Fibonacci from the wall.



#### Technical data

**Current consumption KNX bus:** 30mA

**Ambient temperature:** Operations between 5 & 45°C

Storage & Transport between 15 & 55°C

**Max. humidity:** 93% relative humidity - no moisture condensation

**Protection Class:** II

**Type of protection:** IP20

**Certification:** CE

