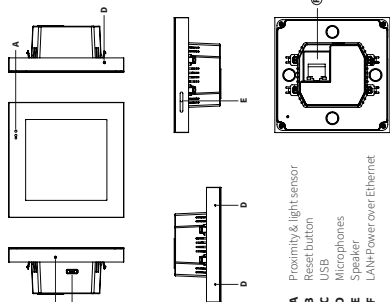


# Lisa Quick Reference Guide



## d. Installing the mounting bracket

Using the included #5-24 screws to mount the mounting bracket onto the EU/CH single-gang junction box, UK standard single-gang junction box or steel box.



## EU/CH single-gang junction box:

1. Turn the top cover of the gangbox clockwise to allow mounting.



## UK standard single-gang:

2. Turn off the top cover of the gangbox clockwise to allow mounting.

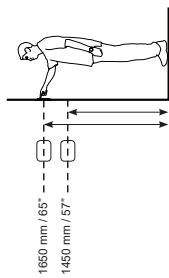


Lisa is designed to be wall mounted. Lisa requires a minimum mounting depth of 24mm from the back side of Lisa plus room for cables. Power is supplied by Power Over Ethernet (PoE). PoE must meet the IEEE 802.3af standard. Lisa connects to the local network via a hard wired Ethernet connection.

## 1. Installing Lisa

### a. Mounting height

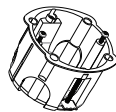
The recommended mounting height for Lisa is 1450 mm - 1650 mm (57" - 65") above the finished floor.



## b. Rough-in

Lisa has been designed to mount to a EU/CH single-gang junction box, UK standard single-gang junction box or steel box.

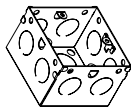
The mounting bracket, included in the box, should be attached with included screws (2x #5-24).



EU/CH single-gang box



UK standard single-gang box



UK single-gang steel box

## c. Mounting

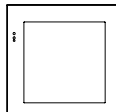
Install the single-gang box junction box in its normal orientation.



EU/CH single-gang box



UK single-gang box

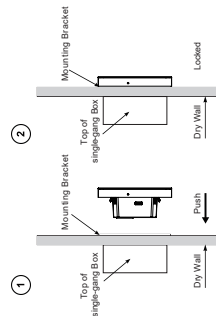


## f. Installing Lisa on the wall

Position Lisa for mounting, align the mounting bracket hooks with Lisa mounting slots and gently press it towards the mounting bracket/wall.

Lisa snaps in when pushed to its mounting bracket.

**CAUTION: DO NOT PRESS DIRECTLY ON THE SCREEN** When installing on to the mounting bracket, Press only on the frame edges.

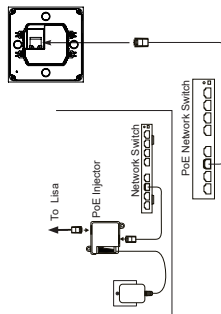


## e. Connecting Lisa to power and Ethernet

### PoE Connection

PoE connection requires the IEEE 802.3af standard. Use a network switch or PoE injector that meets this standard.

Connect Lisa using a standard T568A or T568B Ethernet cable from the network switch to the LAN/PoE connector on the back of Lisa.



## d. Installing the mounting bracket

Using the included #5-24 screws to mount the mounting bracket onto the EU/CH single-gang junction box, UK standard single-gang junction box or steel box.



## EU/CH single-gang junction box:

1. Turn the top cover of the gangbox clockwise to allow mounting.



## UK standard single-gang:

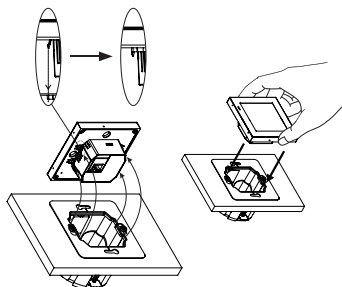
2. Turn off the top cover of the gangbox clockwise to allow mounting.



## g. Mounting Lisa

Align the mounting bracket hooks with the mounting slots and gently press Lisa towards the mounting bracket/wall.

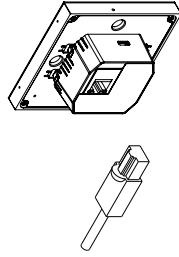
Make sure the mounting hooks are properly engaged.



## 2 Powering up Lisa

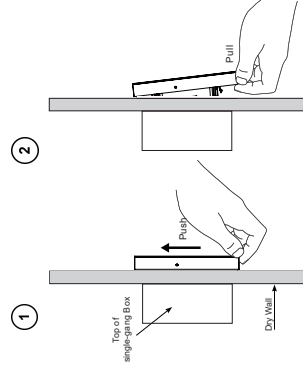
Lisa will automatically power on when power is applied. Wait for the unit to boot up completely.

When connected to a switch by Ethernet cable, Lisa will acquire a network address via DHCP and automatically connect to the system.



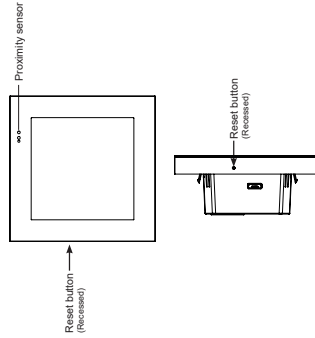
## 3 Removing Lisa

Follow the step 1 and 2 in order to remove Lisa from the wall.



## 4 Reset button

If you want to restart Lisa, shortly press the recessed reset button (upper button on the left side). After 7-10" the Basalte logo will appear and Lisa will restart.



Thank you for using Lisa as part of your intelligent home.

Lisa has been designed to provide years of trouble free operation when wired and installed properly.

Lisa has been designed for installation in low humidity indoor environments and should never be installed outdoors or in high humidity areas.

Included in the box

- 1x Lisa touch panel
- 1x mounting bracket
- 2x #5-24 Mounting Screws

# lisa

## basalte

### Important Safety Instructions

1. Read, understand and follow ALL safety and installation instructions included in this manual. Failure to follow the included documentation may damage the product and will void manufacturer's warranty.
  2. Do not use the product in high humidity environments, in close proximity to heat sources and/or non-recommended locations. WILL impede, interfere and/or damage the intended operation of the product.
  3. Only use attachments and accessories which have been specified for use with the product.
  4. The use of abrasive, liquid or solvent based cleaning fluids WILL damage the product.
  5. Product Servicing may ONLY be completed by authorized or certified personnel. For more information on product servicing, please refer to the product manual and/or contact the basalte support for details.
- FEDERAL COMMUNICATIONS COMMISSION INTERFERENCE STATEMENT:  
This equipment has been tested and found to comply with the limits for a Class B digital device, pursuant to part 15 of the FCC Rules.

These limits are designed to provide reasonable protection against harmful interference in a residential installation. This equipment generates, uses and can radiate radio frequency energy and, if not properly installed and used in accordance with the instructions, may cause harmful interference to radio communications. However, there is no guarantee that interference will not occur in a particular installation. If this equipment does cause harmful interference to you or other equipment, you may need to take certain measures. Turning the equipment off and on, the user is encouraged to try to correct the interference by one or more of the following measures:

- Reorient or relocate the receiving antenna.
- Increase the separation between the equipment and receiver.
- Connect the equipment into an outlet on a circuit different from that to which the receiver is connected.
- Consult the dealer or an experienced radio/TV technician for help.

Designed in USA  
Assembled in Belgium

basalte is a registered trademark of basalte bv.

**basalte bv**

Wandelsteede 10  
1132 AA Amsterdam, The Netherlands  
Tel: +31 20 385 78 38 | info@basalte.be | www.basalte.be